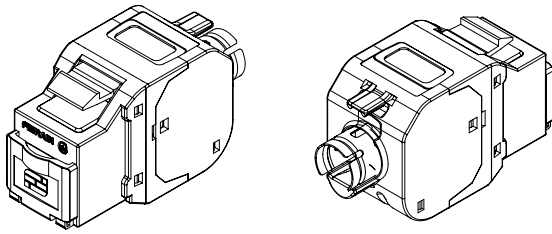


Cross module cat. 5e (keystone)

FTP



01

Express 5e

Cross module cat.5e (keystone) FTP

FIBRAIN DATA cabling Express series is fully complied to requirements of category 5e (class D) according to the norms: ANSI/TIA/EIA 568-C.2-1(cat.5e), ISO/IEC 11801, EN 50173, EN 50173-1, IEC 60603-7-4.

Moreover all channel's components are complied to Directive ROHS 2002/95/WE

Components Express series are characterized by high quality of transmission and mechanical parameters and very often exceeding requirements of obeying norms. They fully support 125 MHz transmission.

Shielded sockets (keystones) FIBRAIN DATA Express series are fully complied to requirements of category 5e (class D) and provide 125 MHz transmission. One used tool-less way of cable termination. Special casing significantly influence on gained parameters. Limits up to minimum division of cable during termination and speed up time of division performance. Specially adjusted casing shape totally protects cable's conductors against tearing out. Double color indicating system provides conductors configuration within sequence 568A or 568B. Thanks to appropriate selection of materials and tap shape module socket is totally resistant against unfastening of connectors RJ-11 and RJ-12. RJ-45 port is equipped with individual anti-dust shutter. Keystone me be used with straight and angle adapters.

Features:

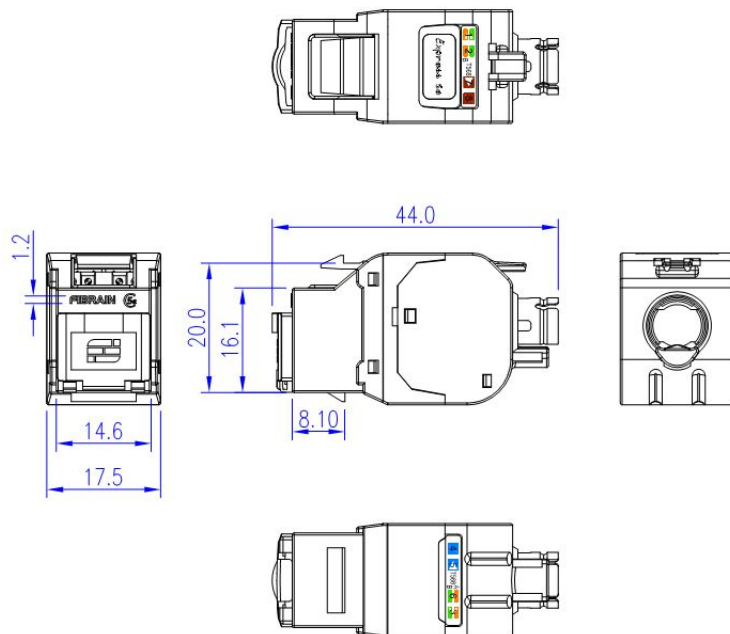
- Tool-less
- Casing decreasing cables conductors division
- Made of flame non-spreading materials UL94V-0
- Anti-dust shutter
- Sequence identification 568A and 568B

Electric parameters:

- Max current: 1,5 A
- Insulation resistance: 500 MOhm min
- Pin resistance: 20 MOhm max
- DC resistance: 0,1 Ohm max
- Comply to norms: IEC 60603-7 Class D
- Comply to norms: TIA568-C Cat.5e

Mechanical parameters:

- Socket: shielded RJ 45 cat.5e
- Casing: UL 94V-0
- Pin material phosphor-bronze
- Pin: diameter 0,46mm covered with 50 µm and 100 µm nickel layers
- Socket durability 750 connection cycles according to the EN 60603-7
- IDC connector toll-less IDC
- Conductor diameter: 0,4-0,65 mm (AWG 26-22)
- IDC durability 200 connection cycles
- Joint material phosphor-bronze
- Joint layer: 1,27 µm of silver and 2,5 µm of nickel
- Division Scheme Identification T568A and T 568B



Accessories:

- XB-DC-W-01 25pcs white anti-dust shutter,
- XB-DC-Y-01 25pcs yellow anti-dust shutter,
- XB-DC-R-01 25pcs red anti-dust shutter,
- XB-DC-BK-01 25pcs black anti-dust shutter,

XE100.450

Example: XE100.450 FIBRAIN DATA keystone Cat.5e FTP

FIBRAIN.COM