

Rapid 6a

Keystone XR 100.450

Category 6A FTP

FIBRAIN DATA Structural Cabling Rapid Series, fully satisfies the requirements of cat. 6A (class EA) in accordance with standard ISO/IEC 11801, ANSI/TIA/EIA 568-C-2.1 as well as EN 50173-1. Moreover all components of the transmission line complete ROHS 2002/95/WE Directive.

Components in Rapid series are characterized by high quality of transmission and mechanical parameters, often exceeding requirements of valid standards. Components fully provide 500 MHz transmission.

FIBRAIN DATA Shielded keystones Express series, fully comply with requirements of cat. 6A (Class EA) and perform transmission of 500 MHz. Tool-less cable termination method has been used. Specific design affects performance parameters. Minimizes wires unbraiding while termination and significantly accelerates mounting time. Special designed housing shape, fully protects cable wires against unauthorised pulling out. Double colouring system enables wires configuration in sequences 568A and 568B. Through appropriate selection of material and contacts shape, keystone modules are characterized by fully resistance to connection RJ-11 and RJ-12 plugs. RJ-45 port is equipped with individual, automatic anti-dust cover. Keystones can be used in straight and angled adaptors.

Characteristics:

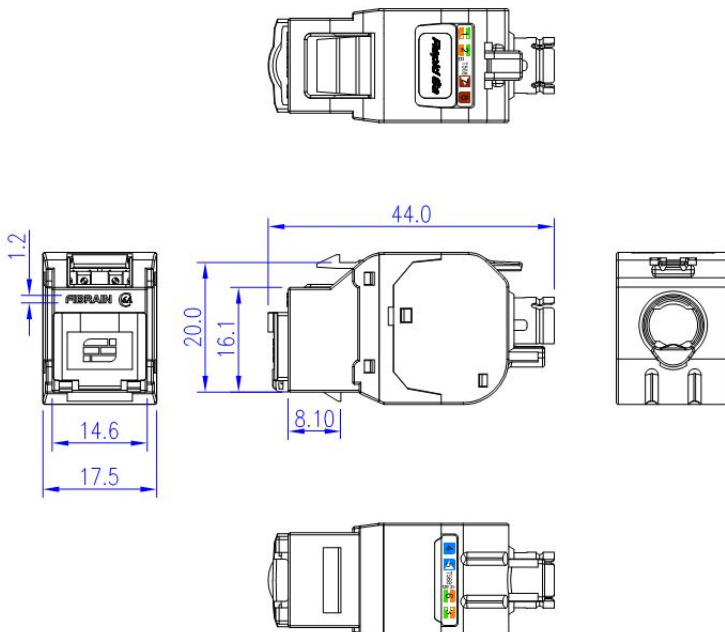
- Tool-less mounting
- Housing which minimizes wires un-braiding
- Non-flammable materials UL-94V-0
- Anti-dust cover
- Sequences identification: 568A and 568B

Electric Parameters:

- **Maximum current value:** 1,5 A
- **Insulation resistance:** 500 MOhm min
- **Contacts resistance:** 20 MOhm maxDC resistance: 0,1 ohm max
- **According to norm:** ISO/IEC 11801
- **According to norm:** ANSI/TIA/EIA 568-C-2.1

Mechanical Parameters:

- **Jack:** shielded RJ45 cat.6
- **Frame:** UL94V-0
- **Contacts material:** bronze phosphoric
- **Contacts OD:** 0,46 mm, covered with 50 µm of gold and 100 µm of nickel
- **Contacts durability:** >750 connection cycles
- **According to norm:** EN 60603-7
- **IDC connectors:** tool-less IDC
- **Wire diameter:** 0,4- 0,65mm (AWG 26-22)
- **IDC durability:** >200 connection cycles
- **Coupler material:** bronze phosphoric
- **Coupler covering:** 1,27 µm of silver and 2,5 µm of nickel
- **Braiding identification:** T568A and T568B



Accessories:

- XB-DC-W-01 25pcs white anti-dust shutter,
- XB-DC-Y-01 25pcs yellow anti-dust shutter,
- XB-DC-R-01 25pcs red anti-dust shutter,
- XB-DC-BK-01 25pcs black anti-dust shutter,

XR100.450

Example: XR100.450 keystone Fibrain DATA Cat 6A FTP

FIBRAIN.COM